

FEATURES

- Subminiature relay.
- Standard type and High sensitivity type available.
- Using at microprocessor control, household security, and peripheral equipments.
- Industrial Control application.



UL FILE NO.: E126157
CUL FILE NO.: E126157

ORDERING INFORMATION

LUS — 12 H
1 2 3

1. Type
2. Coil Nominal Voltage
3. Contact Rating
Nil: Standard Type
H: 5A

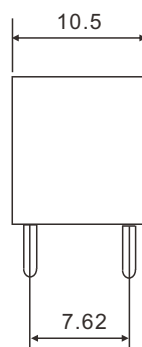
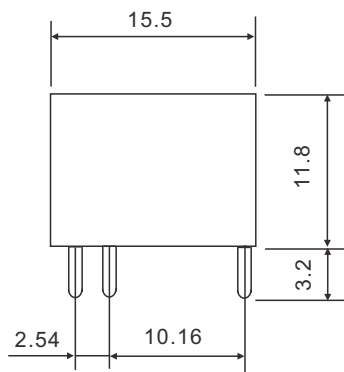
CONTACT RATING

1 Form C (1PDT)	AC 120V / DC 24V	5A
	AC 240V	2.5A

COIL DATA(0.2W, at 25°C)

Coil Nominal Voltage (VDC)	Resistance Tol. ±10% (Ohms)	Nominal Current (mA)	Maximum Pick Up Voltage (V)	Minimum Drop Out Voltage (V)
3	45	66.7	2.25	0.3
5	125	44.7	3.75	0.5
6	180	33.3	4.5	0.6
9	405	22.2	6.75	0.9
12	720	16.7	9.0	1.2
24	2,880	8.3	18.0	2.4

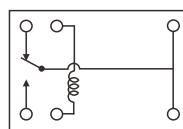
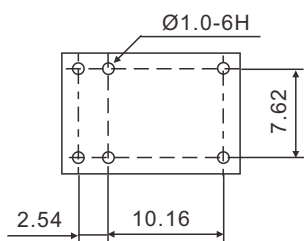
DIMENSIONS(±0.2mm)



P.C.B LAYOUT
(BOTTOM VIEW)

WIRING DIAGRAM
(BOTTOM VIEW)

LUS



GENERAL DATA

Insulation Resistance	100 MΩ Min. (DC 500V)
Dielectric Strength	500 VAC, 50/60Hz between contact.
	1000 VAC, 50/60Hz between all elements.
Contact Material	Ag Alloy.
Contact Resistance	100 milliohms max. (initial value)
Shock Resistance	Malfunction: 10G(11ms) ; Destructive: 100G(6ms)
Vibration Resistance	Malfunction: 10 to 55 Hz. at Double Amplitude of 1.5 mm
	Destructive: 10 to 55 Hz. at Double Amplitude of 1.5 mm
Operation Time	5 ms max.
Release Time	5 ms max.
Temperature Range	- 30°C ~ +70°C
Expected Life	With operation rate 30/min.
	Mechanical - 10,000,000 operations min.
	Electrical - 100,000 operations min. at rated load.
Weight	4 grams