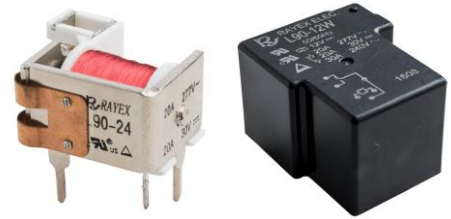


FEATURES

- Up to 30A switching capacity in 1PST and 20A switching in 1PDT arrangement
- Open-frame and plastic sealed types are available
- Using at home appliances, power switching appliances, car controller, heating, ventilating, and conditioning systems



UL FILE NO.: E126157
 CUL FILE NO.: E126157
 TUV FILE NO.: R50049667

ORDERING INFORMATION

L90 A S — 12 A W L
 1 2 3 4 5 6 7

- | | |
|---|--|
| 1. Type
2. Contact Arrangement
Nil : 1 Form C(1PDT)
A : 1 Form A(1PST-NO)
B : 1 Form B(1PST-NC)
3. Common Terminals Type
Nil : Standard Type
S : Without Common Terminal
between coil terminals | 4. Coil Nominal Voltage
5. Coil Nominal Voltage Type
Nil : DC
A : AC
6. Enclosure Type
Nil : Open Type
W : Sealed Type
7. L:40A |
|---|--|

COIL DATA(at 25°C)

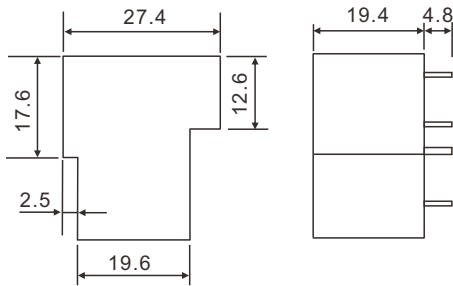
DC 0.9 W				AC 1.2 VA			
Coil Nominal Voltage (VDC)	Resistance Tol.±10% (Ohms)	Maximum Pick Up Voltage (V)	Minimum Drop Out Voltage (V)	Coil Nominal Voltage (50/60Hz)	Resistance Tol.±10% (Ohms)	Maximum Pick Up Voltage (V)	Minimum Drop Out Voltage (V)
5	27	3.75	0.5	6	10	5.1	0.6
6	40	4.5	0.6	12	43	10.2	1.2
9	97	6.75	0.9	24	160	20.4	2.4
12	155	9.0	1.2	110	3,160	93.5	11.0
18	380	13.5	1.8	220	13,490	187.0	22.0
24	660	18.0	2.4				
36	1,44	27.0	3.6				

CONTACT RATING

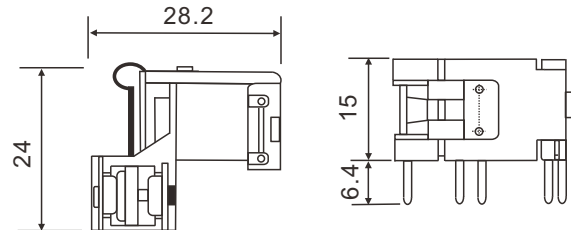
1A(1PST-NO)	Resistive (Cos.θ = 1)	AC 240V / 30A	AC 277V / 20A	DC 30V / 20A
1B(1PST-NC)	Resistive (Cos.θ = 1)	AC 240V / 20A	AC 277V / 15A	DC 30V / 10A
1C(1PDT)	Resistive (Cos.θ = 1)	NO : AC 240V / 30A	NO : AC 277V / 20A	NO:DC 30V / 20A
	Resistive (Cos.θ = 1)	NC : AC 240V / 20A	NC : AC 277V / 15A	NC:DC 30V / 10A
L:1C(1PDT)	Resistive (Cos.θ = 1)	AC 240V/ DC 30V		40A

DIMENSIONS(±0.2mm)

SEALED TYPE

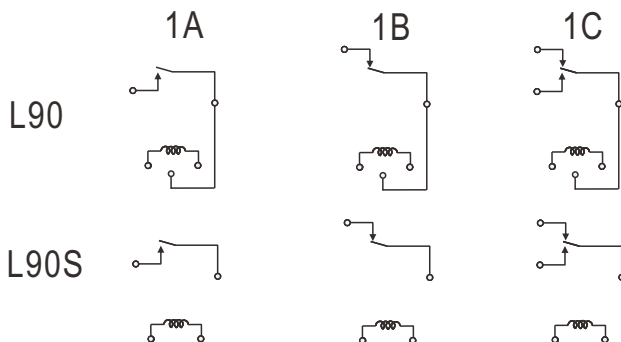


OPEN TYPE

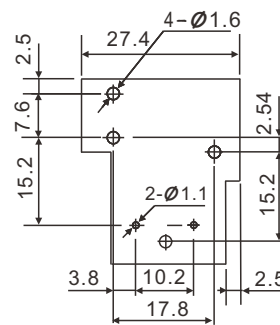


P.C.B LAYOUT
(BOTTOM VIEW)

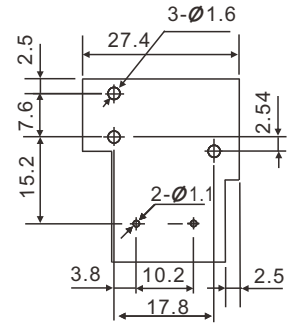
WIRING DIAGRAM(BOTTOM VIEW)



L90



L90S



GENERAL DATA

Insulation Resistance	500 MΩ Min. (DC 500V)
Dielectric Strength	1,500 VAC, 50/60Hz between contact.
	2,000 VAC(L90S:2500), 50/60Hz between all elements
Contact Material	Ag Alloy.
Contact Resistance	50 milliohms max. (initial value)
Shock Resistance	Malfunction: 10G(11ms) ; Destructive: 100G(6ms)
Vibration Resistance	Malfunction: 10 to 55 Hz. at Double Amplitude of 1.5 mm
	Destructive: 10 to 55 Hz. at Double Amplitude of 1.5 mm
Operation Time	15 ms max.
Release Time	15 ms max.
Contact gap	1.0mm
Temperature Range	- 55°C ~ + 85°C
Expected Life	With operation rate 30/min.
	Mechanical - 10,000,000 operations min. Electrical - 100,000 operations min. at rated load.
Weight	25 grams